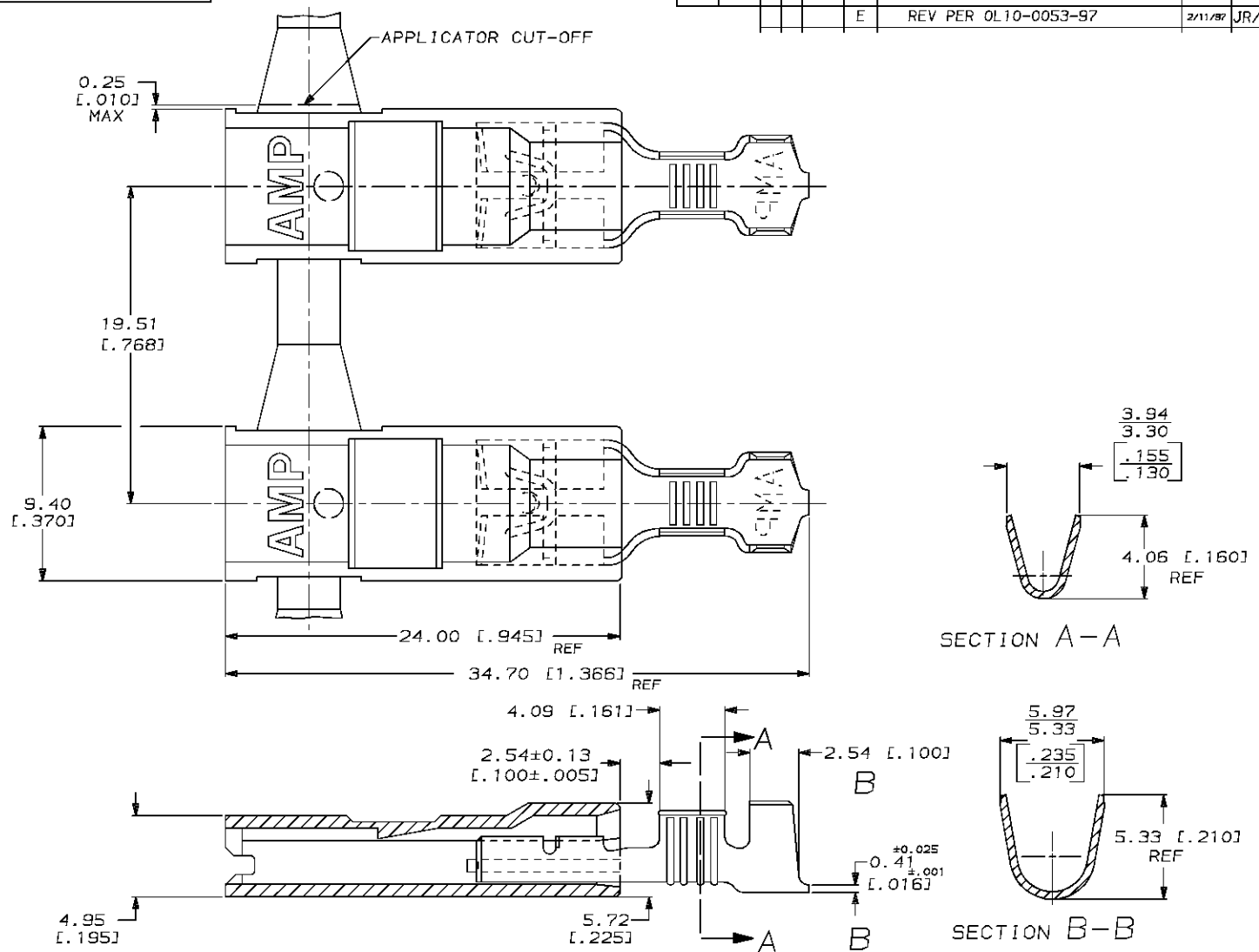


LOG	DIST	P	F	ZONE	LTR	REVISIONS	DATE	APPD
AF	50				E	REV PER 0L10-0053-97	2/11/97	JR/DE



- 1 LOW-INSERTION FASTON TERMINALS, BASE P/N 63306, ARE USED IN THIS PRODUCT.
- 2 TIN PLATE PER .002032 [.000080] MIN PER MIL-T-10727.

TIN PLATE	2.79-4.32 [.110-.170]	0.8-2.0 mm ² [18-14]	0.813 [.032]	521046-1
TERMINAL FINISH	INSULATION RANGE	WIRE SIZE	MATING TAB THK ±0.025 [±.001]	PART NO
DO NOT SCALE PRINT. UNLESS SPECIFIED DIMENSIONS IN mm [INCHES] TOLERANCES ON : 2 PLC DEC ± 3 PLC DEC ± 0.25 [.010] ANGLES ± -		DR 5/27/93 JR RUTH CHK 5/27/93 MS FEHER APPD 5/27/93 D BRATINA APPD 5/27/93 V KARABCIEVSKY PRODUCT SPEC 108-1285	AMP AMP INCORPORATED Harrisburg, Pa. 17105	
MATERIAL HOUSING - 4/6 NYLON TERMINAL #4M HARD BRASS		APPLICATION SPEC 114-2124	NAME ASSEMBLY, ULTRA-POD, RECEPTACLE, 6.35 [.250] SERIES	
FINISH HOUSING - NATURAL TERMINAL - SEE TABLE		WEIGHT -	SIZE C	CAGE CODE 00779
			SCALE 5:1	DRAWING NO 521046
				SHEET 1 OF 1